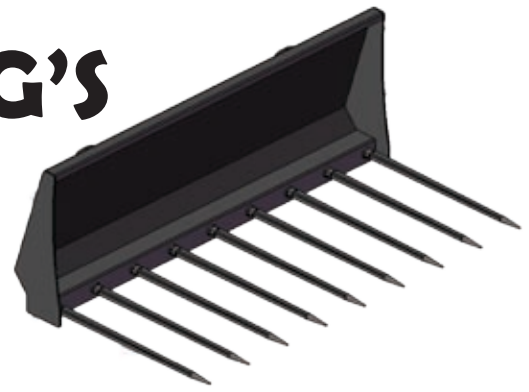


# **HAND ENGINEERING'S** **Silage Fork**



## **HIGH QUALITY.** **HEAVY DUTY & LIGHTWEIGHT**

Hand Engineering's Silage Fork is a heavy duty but lightweight fork enabling the loader and fork to be more efficient as a group.

No unnecessary weight is added to the front of the loader.

You can be guaranteed of quality and service when dealing with Hand Engineering.

## **SPECIFICATIONS**

Available for any make or model of tractor loader \ skidsteer in varying widths.



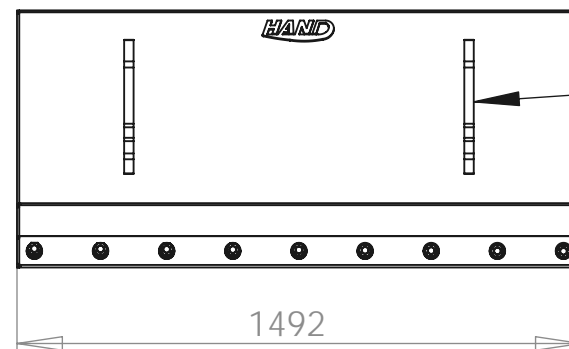
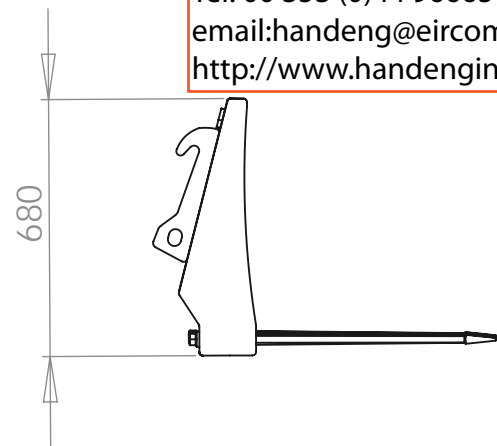
## **FEATURES**

- > Strong and Durable
- > Constructed of high grade wear resistant material
- > Forks supplied with Kverneland tines however alternate tines can be supplied at customer request
- > Standard width is 8 ft.
- > Variety of loader brackets catered for - euro, tanco, quickie etc.

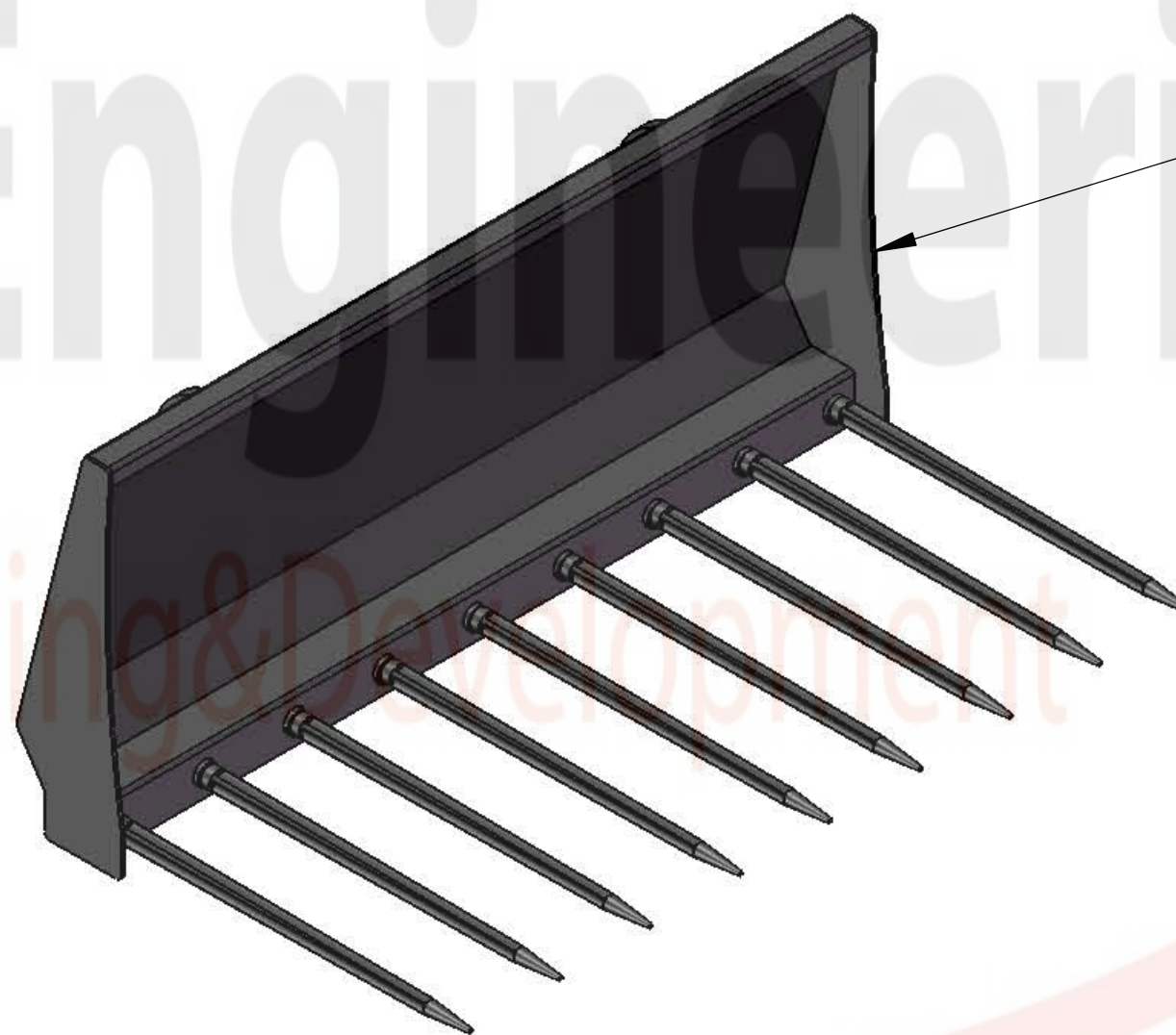
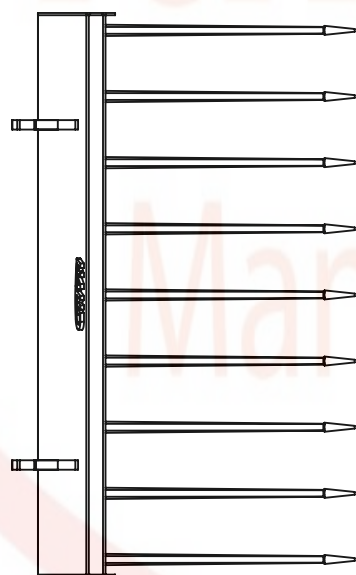
Hand Engineering Ltd.,  
Drumone, Oldcastle,  
Co. Meath, Ireland  
Tel: 00 353 (0)44 9666504  
email: [handeng@eircom.net](mailto:handeng@eircom.net)  
<http://www.handengineering.com>

**HandEngineering**  
Manufacturing&Development

Hand Engineering Ltd., Drumone, Oldcastle, Co. Meath, Ireland  
 Tel: 00 353 (0)44 9666504  
 email:handeng@eircom.net  
 http://www.handengineering.com



25mm 275JR plate



HAND ENGINEERING LTD

TITLE:  
 Tractor loader  
 / skid steer fork

PROPRIETARY AND CONFIDENTIAL  
 THE INFORMATION CONTAINED IN THIS  
 DRAWING IS THE SOLE PROPERTY OF  
 HAND ENGINEERING LTD. ANY  
 REPRODUCTION IN PART OR AS A WHOLE  
 WITHOUT THE WRITTEN PERMISSION OF  
 HAND ENGINEERING LTD IS  
 PROHIBITED.

SIZE <b>B</b>	DWG. NO.	REV
SCALE: 1:20	WEIGHT:	SHEET 1 OF 1